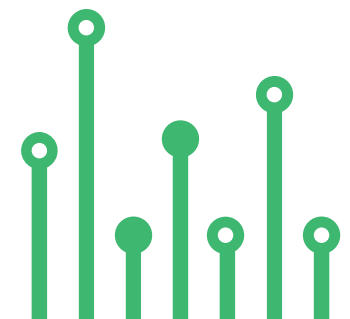


THE  
**electronics-lab**  
.com  
from ideas to  
**boards**

[electronics-lab - Projects](#) | [Embedded News](#) | [Online Community](#) | [e-Shop](#)

Open Source Hardware Electronics Projects

[electronics-lab.com /projects](https://electronics-lab.com/projects)





AUDIO



# 3D Effect Audio Processor

---



SKU: EL135457

# 3D Effect Audio Processor



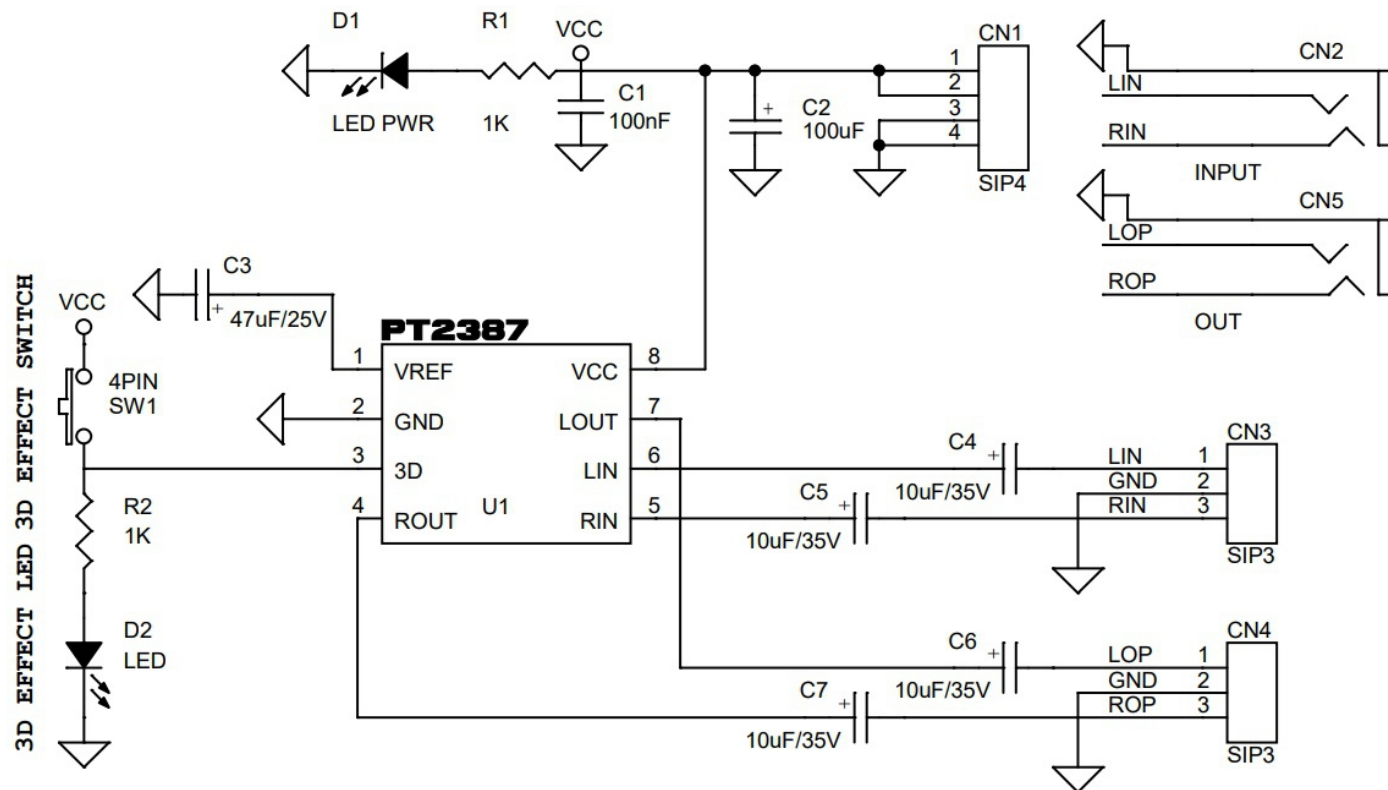
The project presented here is a 3D sound processor, that regenerates 3D sound to stereo speakers. The board is able to regenerate 3D sound from a stereo audio input. It features a wide operating voltage range, wide dynamic range, and low output noise and is suitable for any audio application. This tiny module can add 3D sound effects to your next project. Basically, this mini low-cost module converts a stereo audio signal into 3D effect audio and it is based on PT2387 chip. The chip features a specially designed PTC HRTFs filter and with its space-enhanced circuit, it provides excellent audio quality and performance. The module provides excellent 3D effect audio output from a stereo audio source and a built-in LED display when the 3D sound effect is active. A tactile switch is provided to activate the 3D sound effect.

## FEATURES

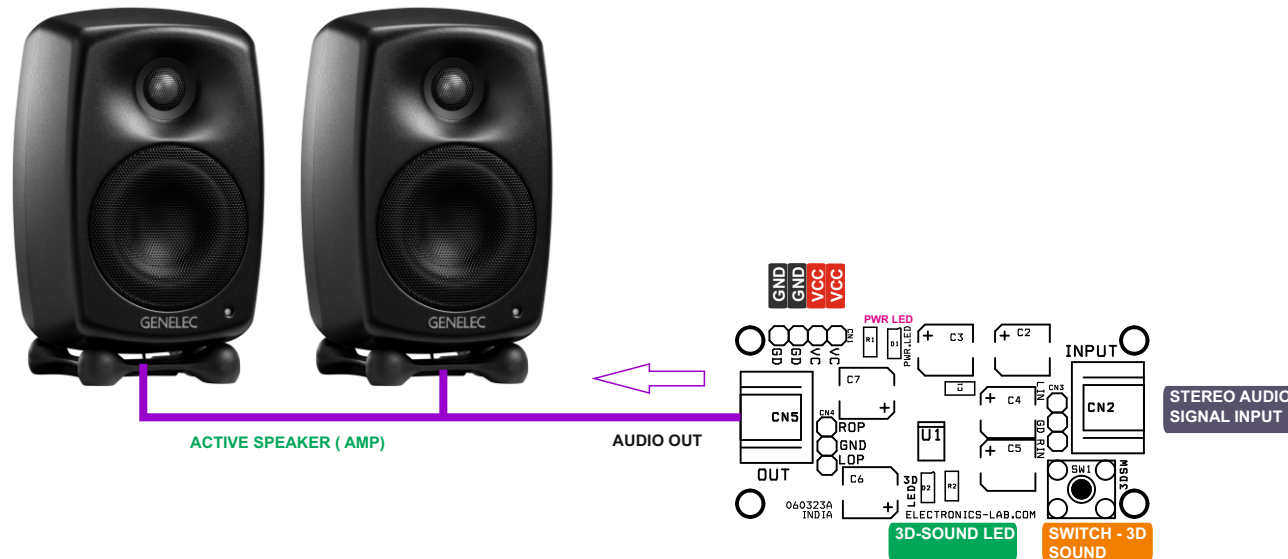
- Operating Voltage 5V to 9V DC
- THD=  $N < 0.01\%$ ,  $S/N > 95\text{dB}$
- On Board Power LED
- Standard Audio Signal Input and Output
- On Board 3D function LED
- 5MM Stereo Female socket for Audio Input and Output
- On Board Tactile Switch for 3D Sound ON/OFF
- PCB Dimensions 55.88 x 26.67 mm
- 4 x 2.5 mm Mounting Holes



# Schematic



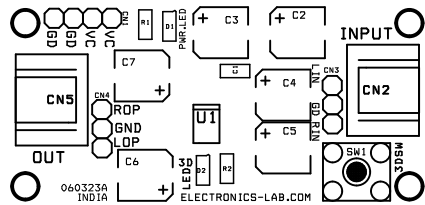
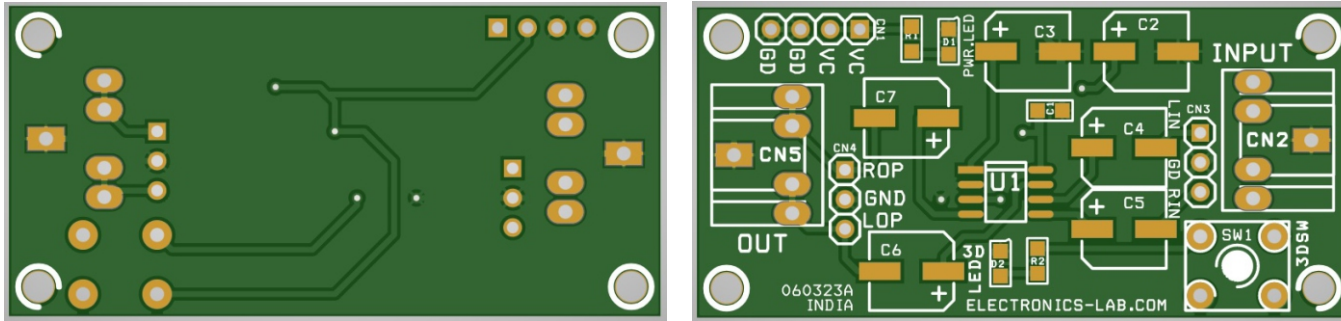
# Connections



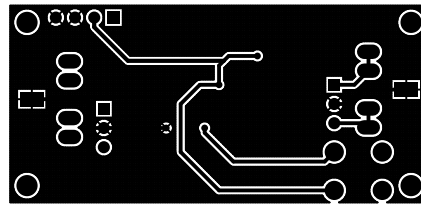
## Connections

- CN1: Pin 1,2 = VCC 5V TO 9V, Pin 3,4 = GND
- CN2: Stereo EP 3.5MM Female Connector, Stereo Audio Signal Input
- CN3: Optional Audio input
- CN4: Optional Audio output
- CN5: Stereo EP 3.5MM Female Connector, Stereo Audio Signal Output
- SW1: Tactile Switch 3D Sound Effect ON/OFF
- D1: Power LED
- D2: 3D Sound Function Display

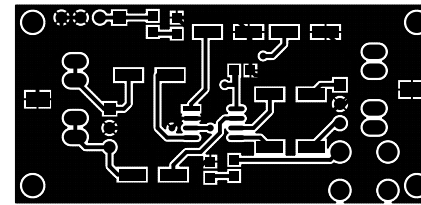
# PCB



SILK SCREEN TOP



BOTTOM LAYER



TOP LAYER

PCB DIMENSIONS 55.88 X 26.67MM

# Parts List

---

| BOM |       |             |                                 |                     |          |                             |
|-----|-------|-------------|---------------------------------|---------------------|----------|-----------------------------|
| NO. | QNTY. | REF         | DESC.                           | MANUFACTURER        | SUPPLIER | SUPPLIER PART'S NO          |
| 1   | 1     | CN1         | 4 PIN MALE HEADER PITCH 2.54MM  | WURTH               | DIGIKEY  | 732-5317-ND                 |
| 2   | 1     | CN2         | 3.5MM FEMALE STEREO EP SOCKET   | CUI AUDIO           | DIGIKEY  | CP1-3525N-ND                |
| 3   | 2     | CN3,CN4     | 3 PIN MALE HEADER PITCH 2.54MM  | WURTH               | DIGIKEY  | 732-5316-ND                 |
| 4   | 1     | CN5         | 3.5MM FEMALE STEREO EP SOCKET   | CUI AUDIO           | DIGIKEY  | CP1-3525N-ND                |
| 5   | 1     | C1          | 100nF/50V CERAMIC SMD SIZE 0805 | YAGEO/MURATA        | DIGIKEY  |                             |
| 6   | 1     | C2          | 100uF/16-35V ELECTROLYTIC SMD   | UNITED CHEMI        | DIGIKEY  | 565-EMHL250ARA101MF80GCT-ND |
| 7   | 1     | C3          | 47uF/25V ELECTROLYTIC SMD       | PANASONIC           | DIGIKEY  | PCE3804CT-ND                |
| 8   | 4     | C4,C5,C6,C7 | 10uF/35V ELECTROLYTIC SMD       | PANASONIC           | DIGIKEY  | PCE3947CT-ND                |
| 9   | 1     | D1          | LED RED SMD SIZE 0805           | LIGHT ON INC        | DIGIKEY  | 160-1427-1-ND               |
| 10  | 1     | D2          | LED GREEN SMD SIZE 0805         | DIALLIGHT           | DIGIKEY  | 350-2044-1-ND               |
| 11  | 2     | R1,R2       | 1K 5% SMD SIZE 0805             | YAGEO/MURATA        | DIGIKEY  |                             |
| 12  | 1     | SW1         | 4 PIN TACTILE SWITCH            | NKK SWITCH          | DIGIKEY  | HP0215AFKP2-ND              |
| 13  | 1     | U1          | PT2387 SOIC8                    | PRINCETON TECH CORP | DIGIKEY  | ALIEXPRESS                  |







Keep  
In touch..

electronics-lab  
.com

info@electronics-lab.com  
www.electronics-lab.com

from ideas to **boards**

